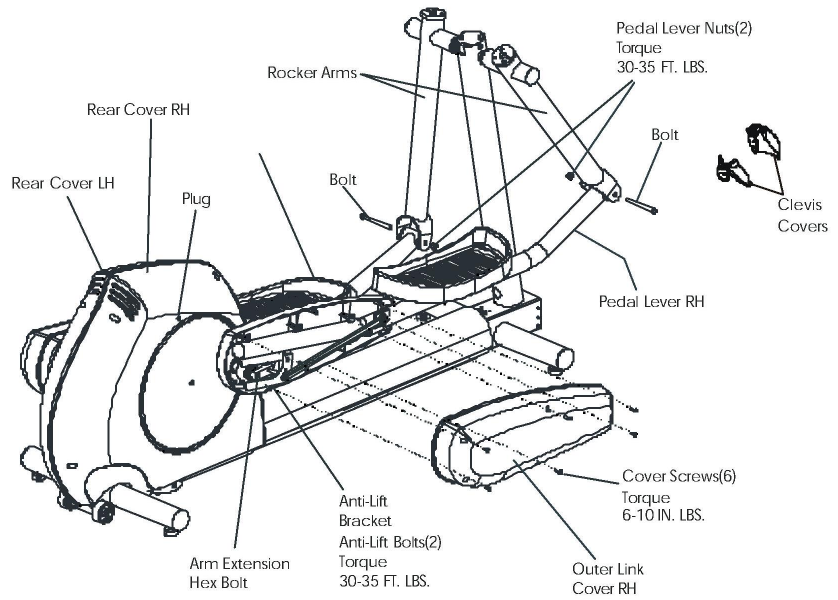


Life Fitness Model 8500, 9100, and 9500HR Cross-Trainers

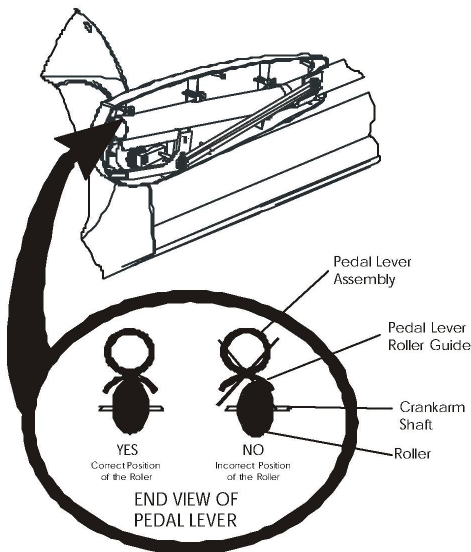
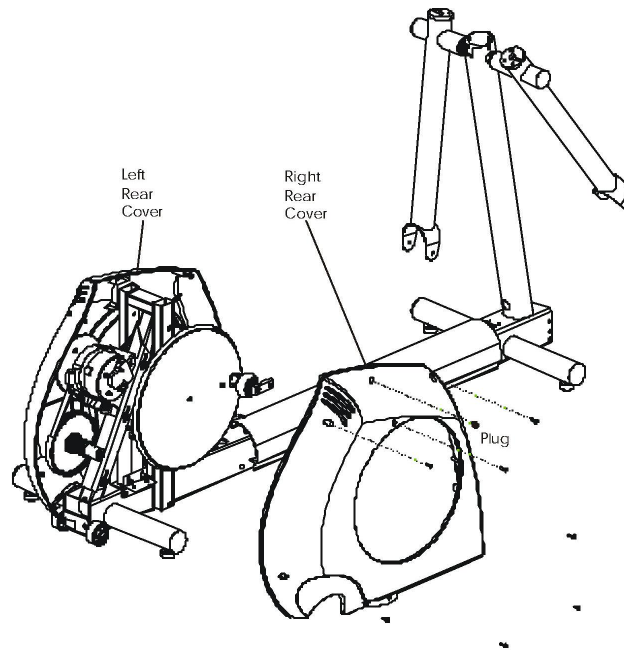
How To... Replace The Rear Covers

Tools required: Phillips magnetic screwdriver #2, Allen wrench set, 3/8" Socket set, and Standard wrench set

1. Remove the OUTER LINK COVER by removing six(6) mounting screws from each OUTER LINK COVER.
2. Remove the ANTI-LIFT BRACKET by removing two(2) mounting bolts from each bracket.
3. Remove the clevis cover from each pedal lever.
4. Remove the PEDAL LEVER by removing the mounting bolt and nut at each ROCKER ARM joint and the hex bolt from each ARM EXTENSION.
5. Remove the PLUG from the LEFT and RIGHT COVERS.



6. Remove the REAR COVER by removing three(3) screws from the LEFT REAR COVER then seven(7) screws from the RIGHT REAR COVER.
7. Install rear covers in reverse order. Make sure that each pedal lever roller guide is centered over the roller. If not, loosen the pedal lever assembly mounting bolt and recenter the pedal lever so that it is centered on the roller, then retighten the



mounting bolt.